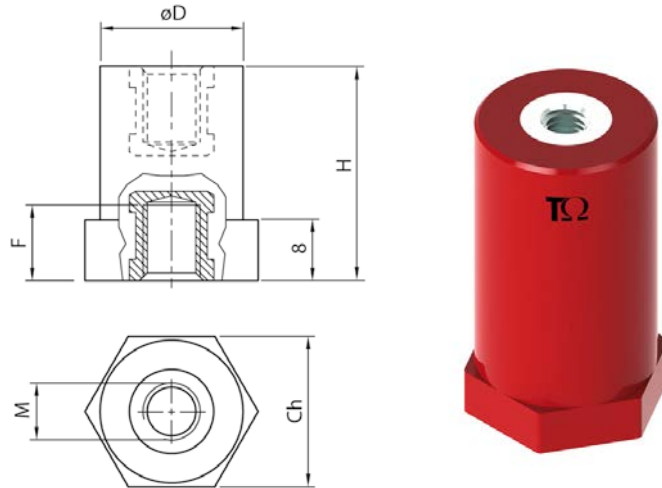


# Product Datasheet

## CPH2535



### Main

Family	Low voltage insulators	
Version	Spacing columns in polyester	
Code	CPH2535	
Reference	CLH 25M6-20	
Number per package	20	
Weight (Kg)	0.022	
Dimensions (mm)	H=25 Ch=21 D=20 F=7	
Type	Hexagonal	
Thread Size	M6	
Force Characteristics	Tightening torque*	8 Nm
	Tensile strength	3 kN
	Compressive strength	22 kN
	Flexural strength	2 kN

\*Maximum tightening torque value suggested for 8.8 class screws

## Technical Features

### Insulation

Thermosetting Polyester reinforced with fiberglass

Self-extinguishing: UL 94-V0

Color: Red RAL 3031

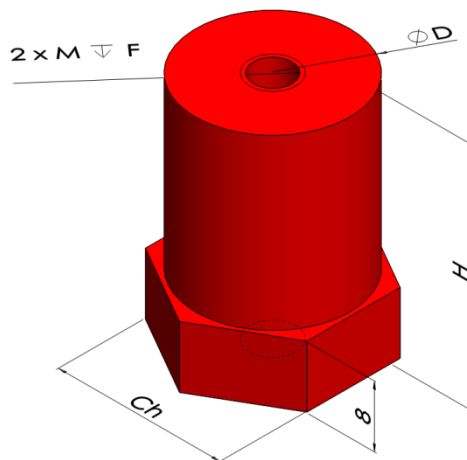
### Threaded Inserts

Galvanized steel

### Finished product

**Rated voltage:** 1000 V AC/1500 V DC

**Working temperature:** -40 to 130 °C



Please contact Teknomega for non-specified tolerances.