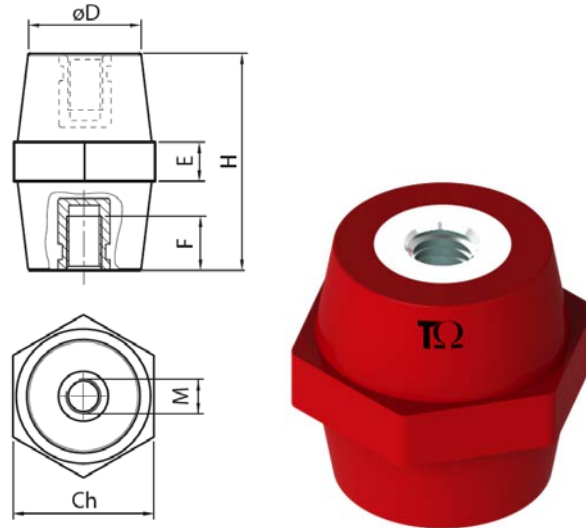


Product Datasheet

CPH2112



Main

Family	Low voltage insulators	
Version	Insulators in polyester	
Code	CPH2112	
Reference	CPH 80M12	
Number per package	3	
Weight (kg)	0.485	
Dimensions (mm)	H=80 Ch=65 D=52 E=16 F=20	
Type	Hexagonal	
Thread Size	M12	
Force Characteristics	Tightening torque*	85 Nm
	Tensile strength	18 kN
	Compressive strength	>200 kN
	Flexural strength	10 kN

*Maximum tightening torque value suggested for 8.8 class screws

Technical Characteristics

Insulation

Thermosetting polyester reinforced with fiberglass

Self-extinguishing: UL94-V0

Color: red RAL 3031

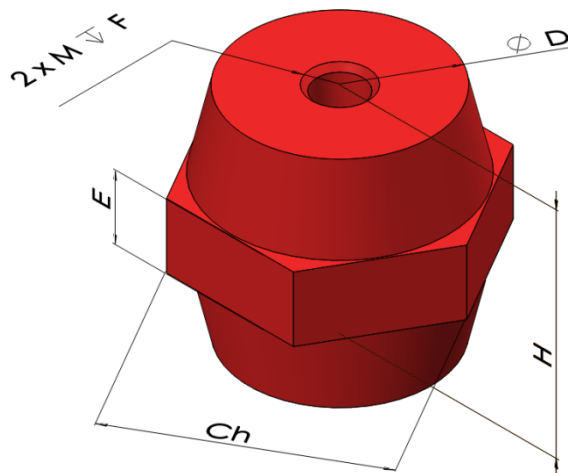
Threaded Inserts

Galvanized steel

Finished product

Rated voltage: 1000 V AC/1500 V DC

Working temperature: -40 ÷ 130 °C



Please contact Teknomega for non-specified tolerances