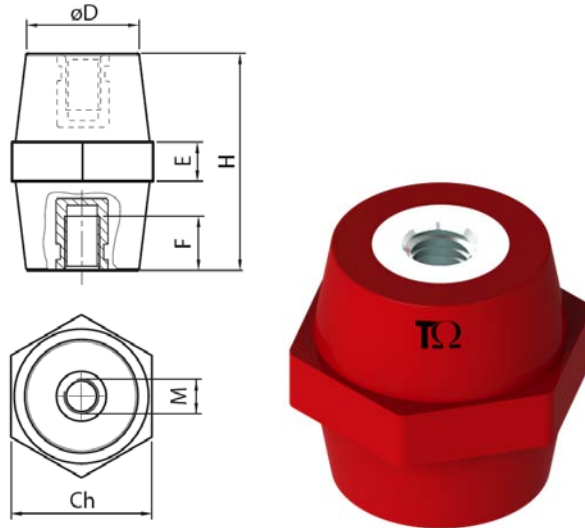


## Product Datasheet

### CPH2093



#### Main

Family	Low voltage insulators	
Version	Insulators in polyester	
Code	CPH2093	
Reference	CPH 50M12W	
Number per package	10	
Weight (kg)	0.240	
Dimensions (mm)	H=50 Ch=50 D=45 E=15 F=20	
Type	Hexagonal	
Thread Size	M12	
Force Characteristics	Tightening torque*	85 Nm
	Tensile strength	12.5 kN
	Compressive strength	160 kN
	Flexural strength	7.2 kN

\*Maximum tightening torque value suggested for 8.8 class screws

## Technical Characteristics

### Insulation

Thermosetting polyester reinforced with fiberglass

Self-extinguishing: UL94-V0

Color: red RAL 3031

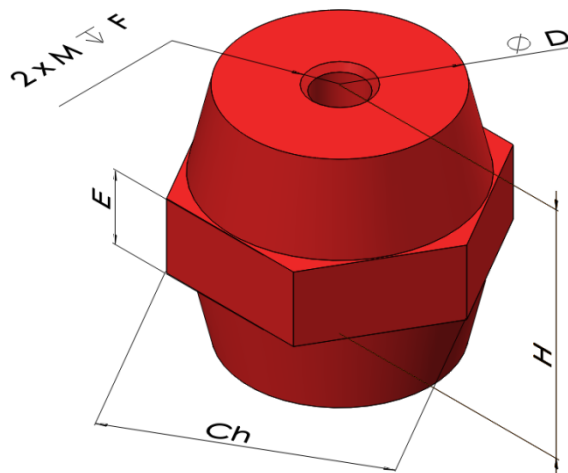
### Threaded Inserts

Galvanized steel

### Finished product

**Rated voltage:** 1000 V AC/1500 V DC

**Working temperature:** -40 ÷ 130 °C



Please contact Teknomega for non-specified tolerances