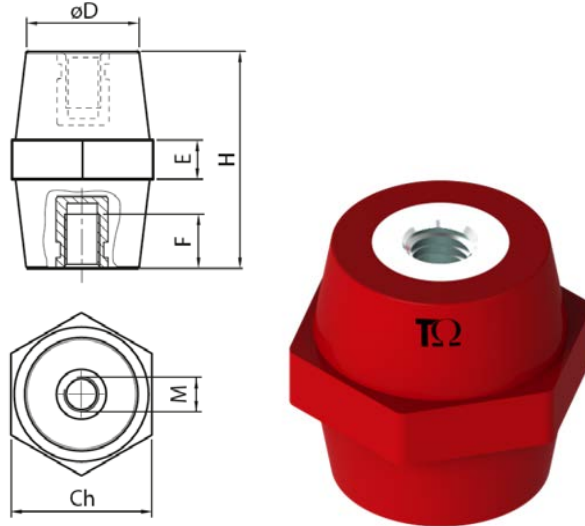


Product Datasheet

CPH2048



Main

Family	Low voltage insulators	
Version	Insulators in polyester	
Code	CPH2048	
Reference	CPH 35M10W	
Number per package	10	
Weight (kg)	0.108	
Dimensions (mm)	H=35 Ch=41 D=35 E=10 F=12	
Type	Hexagonal	
Thread Size	M10	
Force Characteristics	Tightening torque*	50 Nm
	Tensile strength	7.9 kN
	Compressive strength	130 kN
	Flexural strength	6.7 kN

*Maximum tightening torque value suggested for 8.8 class screws

Technical Characteristics

Insulation

Thermosetting polyester reinforced with fiberglass

Self-extinguishing: UL94-V0

Color: red RAL 3031

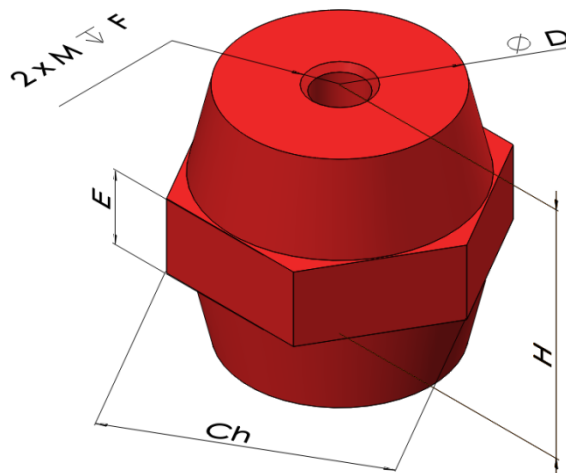
Threaded Inserts

Galvanized steel

Finished product

Rated voltage: 1000 V AC/1500 V DC

Working temperature: -40 ÷ 130 °C



Please contact Teknomega for non-specified tolerances