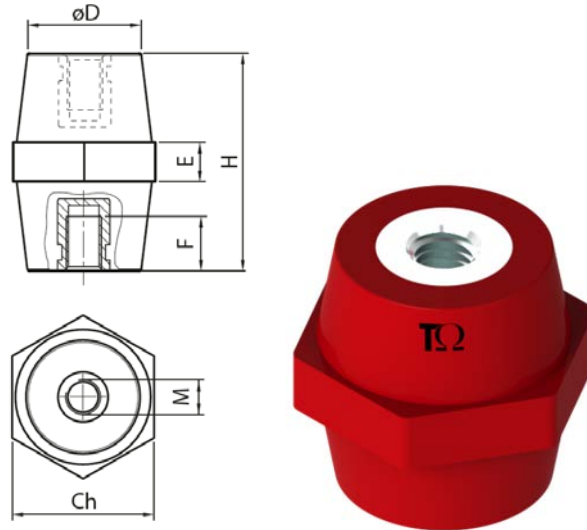


## Product Datasheet

### CPH2025



#### Main

Family	Low voltage insulators	
Version	Insulators in polyester	
Code	CPH2025	
Reference	CPH 30M6	
Number per package	10	
Weight (kg)	0.064	
Dimensions (mm)	H=30 Ch=30 D=25 E=7 F=10	
Type	Hexagonal	
Thread Size	M6	
Force Characteristics	Tightening torque*	10 Nm
	Tensile strength	5.8 kN
	Compressive strength	59 kN
	Flexural strength	4.6 kN

\*Maximum tightening torque value suggested for 8.8 class screws

## Technical Characteristics

### Insulation

Thermosetting polyester reinforced with fiberglass

Self-extinguishing: UL94-V0

Color: red RAL 3031

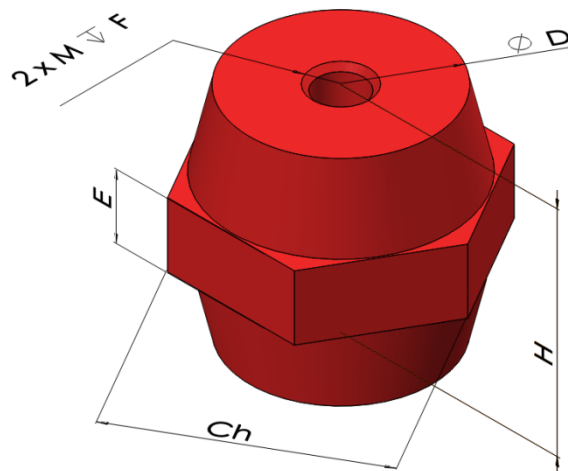
### Threaded Inserts

Galvanized steel

### Finished product

**Rated voltage:** 1000 V AC/1500 V DC

**Working temperature:** -40 ÷ 130 °C



Please contact Teknomega for non-specified tolerances