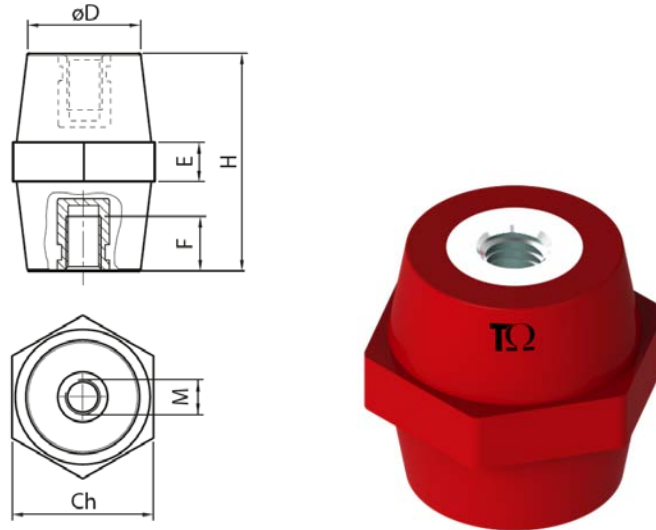


Product Datasheet

CPH2000



Main

Family	Low voltage insulators	
Version	Insulators in polyester	
Code	CPH2000	
Reference	CPH 16M4	
Number per package	50	
Weight (kg)	0.007	
Dimensions (mm)	H=16 Ch=15 D=12 E=4 F=5	
Type	Hexagonal	
Thread Size	M4	
Force Characteristics	Tightening torque*	3 Nm
	Tensile strength	1.5 kN
	Compressive strength	15 kN
	Flexural strength	1 kN

*Maximum tightening torque value suggested for 8.8 class screws

Technical Characteristics

Insulation

Thermosetting polyester reinforced with fiberglass

Self-extinguishing: UL94-V0

Color: red RAL 3031

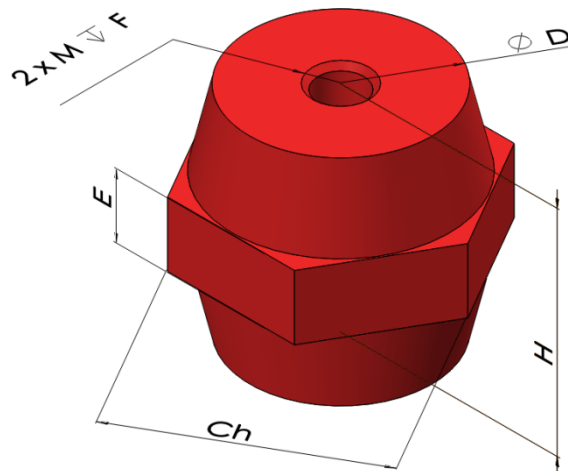
Threaded Inserts

Galvanized steel

Finished product

Rated voltage: 1000 V AC/1500 V DC

Working temperature: -40 ÷ 130 °C



Please contact Teknomega for non-specified tolerances.