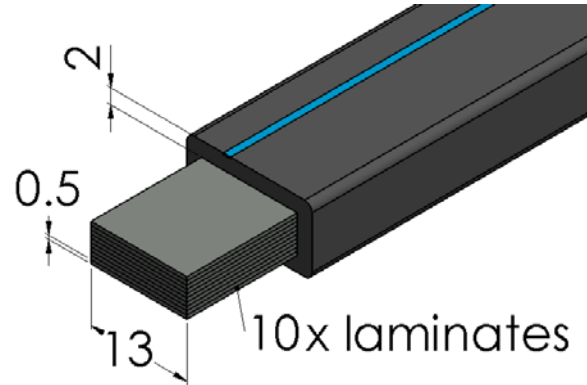


Product Datasheet

CFX5024



Main

Family	Insulated copper flexible bars	
Version	Coflex Plus	
Standard length (m)	2	
Width (mm)	13	
Code	CFX5024	
Reference	CFP 10X13X0.5	
Number per package	4	
Weight (kg)	1.32	
Cross section (mm ²)	65	
In (A) vs ΔT	Rated Intensity (A)	Temperature rise ΔT
	263	35 °C
	337	55 °C
	383	70 °C
	473	105 °C

Disclaimer: This documentation is not intended as a substitute for and is not to be used for determining suitability or reliability of these products for specific user applications

Technical Features

Conductor

Tinned electrolytic copper: Cu-ETP – EN 13599

Laminate thickness: 0.5 mm

Insulation

TPE compound

Black color with a light blue line

Low smoke emission

Self-extinguishing UL 94-V0

Halogen free

Thickness: 1,9 mm ± 0,2 mm

Dielectric rigidity: 20 kV/mm

Class II according to Par. 8.4.4 IEC 61439-1

Recyclable

Finished Product

Rated voltage: 1000 V AC/1500 V DC

Working temperature: -40 °C to 140 °C

In vs. ΔT

I_n = Rated current A

ΔT = Temperature rise °C

$\Delta T = T_f - T_a$

T_f = Working temperature °C

T_a = Room temperature °C

Table of ampacities (A) are based on temperature rise ΔT as per **IEC 61439-1** with reference to the room temperature of 35°C.

For derating coefficient for the use of bars in parallel please refer to the catalogue.

Please contact Teknomega for non-specified tolerances.