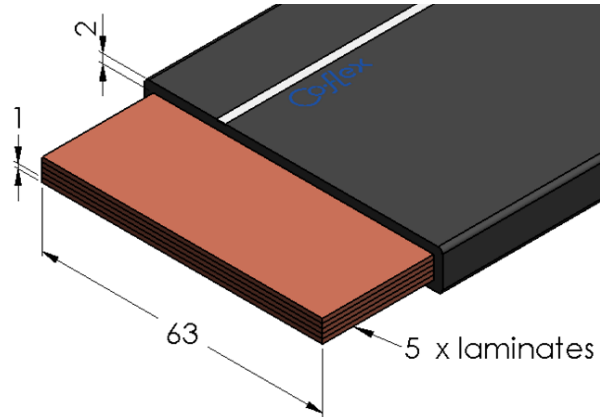


Product Datasheet

CFX1230



Main

Family	Insulated copper flexible bars	
Version	Coflex	
Standard length (m)	2	
Width (mm)	63	
Code	CFX1230	
Reference	CFX 5X63X1	
Number per package	1	
Weight (kg)	6.4	
Cross section (mm ²)	315	
In (A) vs ΔT	Rated Intensity (A)	Temperature rise ΔT
	857	35 °C
	984	45 °C
	1097	55 °C
	1248	70 °C

Technical Features

Conductor

Electrolytic copper: Cu-ETP – EN 13599

Laminate thickness: 1 mm

Insulation

PVC compound

Self-extinguishing PVC UL 94-V0

Black color with white line

Thickness: 2 mm ± 0.2

Dielectric strength: 20 kV/mm

Class II according to Par. 8.4.4 IEC 61439-1

Recyclable

Finished Product

Rated voltage: 1000 V AC/1500 V DC

Working temperature: -40 °C to 105 °C

In vs. ΔT

I_n = Rated current A

ΔT = Temperature rise °C

$\Delta T = T_f - T_a$

T_f = Working temperature °C

T_a = Room temperature °C

Table of ampacities (A) are based on temperature rise ΔT as per **IEC 61439-1** with reference room temperature of 35°C.

For derating coefficient for the use of bars in parallel please refer to the catalogue.

Please contact Teknomega for non-specified tolerances.