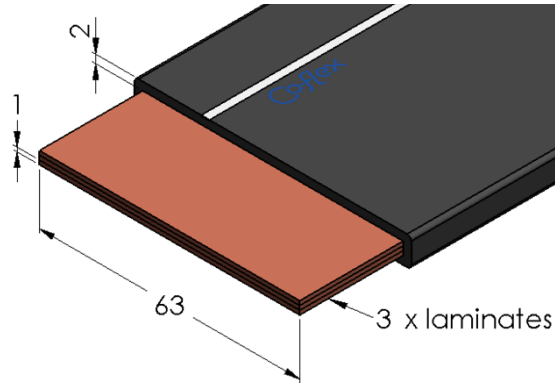


Product Datasheet

CFX1220



Main

Family	Insulated copper flexible bars	
Version	Coflex	
Standard length (m)	2	
Width (mm)	63	
Code	CFX1220	
Reference	CFX 3X63X1	
Number per package	1	
Weight (kg)	4.13	
Cross section (mm ²)	189	
In (A) vs ΔT	Rated Intensity (A)	Temperature rise ΔT
	659	35 °C
	756	45 °C
	842	55 °C
	958	70 °C

Technical Features

Conductor

Electrolytic copper: Cu-ETP – EN 13599

Laminate thickness: 1 mm

Insulation

Self-extinguishing PVC UL 94-v0

Black color with white line

Thickness: 2 mm ± 0.2

Max. Elongation: 365%

Hardness: 80 Shore A

Tensile strength: 19 MPa

Dielectric strength: 20 kV/mm

Finished Product

Rated voltage: 1000 V AC/1500 V DC

Working temperature: -40 °C to 105 °C

In vs. ΔT

I_n = Rated current A

ΔT = Temperature rise °C

$\Delta T = T_f - T_a$

T_f = Working temperature °C

T_a = Room temperature °C

Table of ampacities (A) are based on temperature rise ΔT as per **IEC 61439-1** with reference room temperature of 35°C.

For derating coefficient for the use of bars in parallel please refer to the catalogue.

Please contact Teknomega for non-specified tolerances.