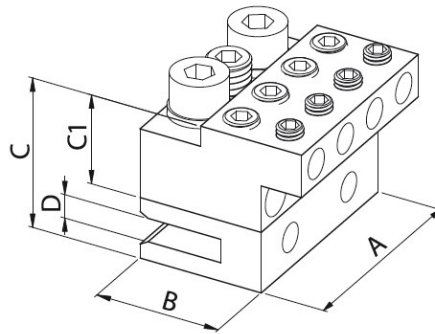


Product Datasheet

BOC1010



Main

Family	Accessories for busbars
Version	Direct hook-up distribution block on copper busbars
Code	BOC1010
Reference	BOC KIT 8 – 10 *
Number per package	12
Weight (kg)	0.51
A (mm)	50
B (mm)	30
C (mm)	52
C1 (mm)	22
D (mm)	10
Torque (Nm)	See table and note below

*8 output distribution block unit + connection unit on 10 mm thick bar

Technical Data

Code	IN/OUT	Stripped cable sect. (mm ²)	Cable with ferrule sect. (mm ²)	Nr	∅ (mm)	Torque (Nm)	Screw
BOC1010	← OUT	2.5 ÷ 25	2.5 ÷ 16	4	7	3	M6
	← OUT	4 ÷ 35	4 ÷ 25	4	9	6	M8

Technical Features

Material: brass

Up to 400 A

Compliant with standard **IEC 60947-1**

Note: M8 screws are to be tightened with a torque of 6 Nm. M10 screws are to be tightened with a torque of 10 Nm. Hardware included.

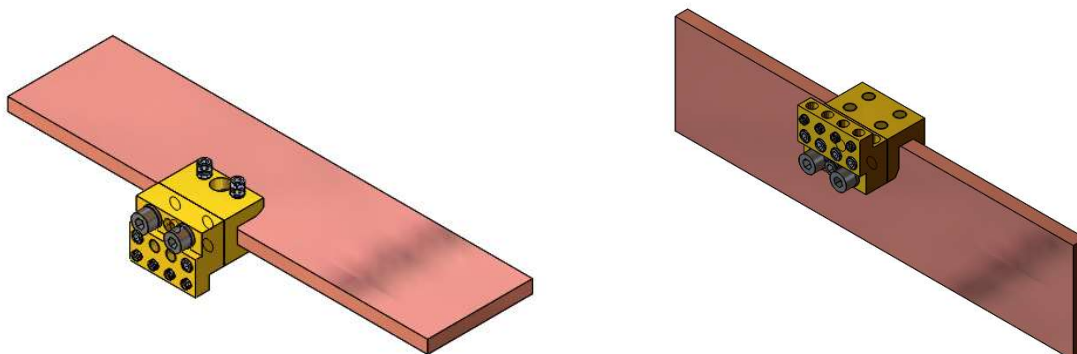
Advantages

BOC1010 allows direct connection on prepunched, threaded or solid bars with two different installation configurations. The distribution block can be attached to 10 mm thick bars.

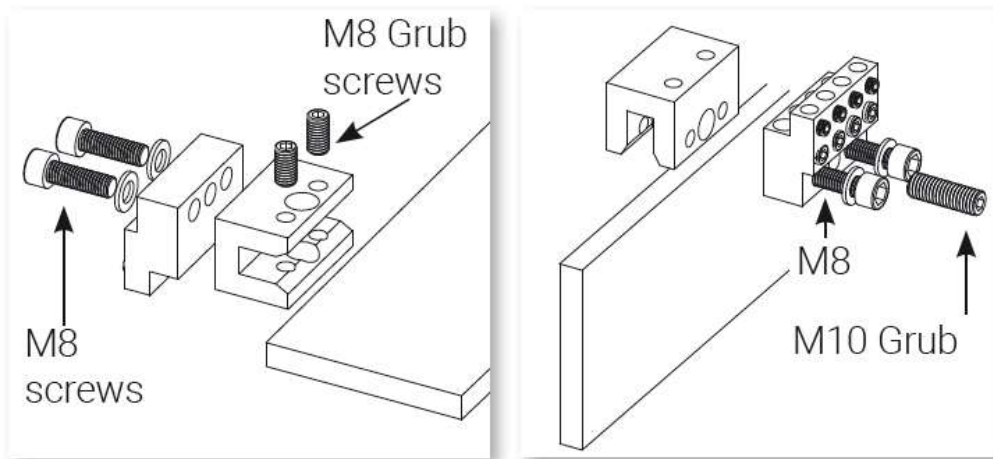
Simple and quick derivations with cables up to 25 and/or 35 mm² that can be used up to 400 A.

The connection units allow spacing of drilled bars of the same phase.

Two mounting possibilities



Use of BOC1010 on PRP1065 (solid copper bars)



Use with solid bar

- use both the units
- two mounting possibilities

Use with pre-punched bar

- use only the distribution block unit on single bar phase systems.
- use both units on multi bar phase systems



BOC1010

Please contact Teknomega for non-specified tolerances.