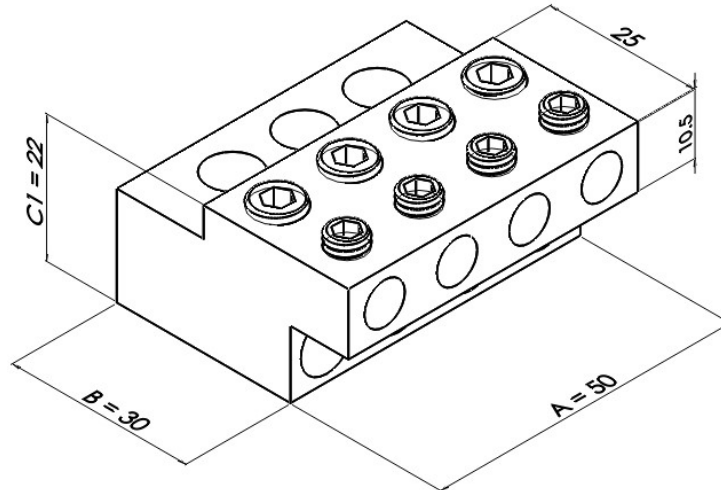


## Product Datasheet

### BOC1000



#### Main

Family	Accessories for busbars
Version	Direct hook-up distribution block on copper busbars
Code	BOC1000
Reference	BOC RIP 8*
Number per package	12
Weight (kg)	0.22
A (mm)	50
B (mm)	30
C1 (mm)	22
Torque (Nm)	See table and note below

\* 8 output distribution block unit

## Technical Data

Code	IN/OUT	Stripped cable sect. (mm <sup>2</sup> )	Cable with ferrule sect. (mm <sup>2</sup> )	Nr	Ø (mm)	Torque (Nm)	Screw
BOC1000	← OUT	2.5 ÷ 25	2.5 ÷ 16	4	7	3	M6
	← OUT	4 ÷ 35	4 ÷ 25	4	9	6	M8

## Technical Features

**Material:** brass

Up to 400 A

Compliant with standard **IEC 60947-1**

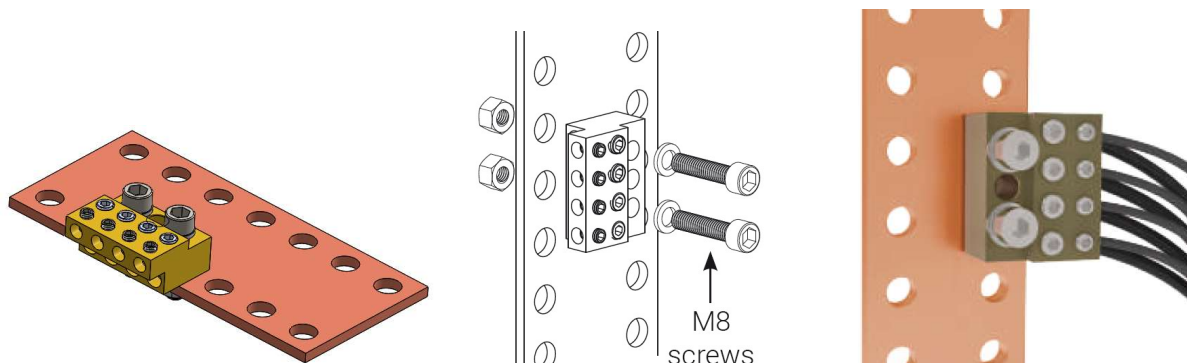
**Note:** M8 screws are to be tightened with a torque of 6 Nm. Screws not included.

## Advantages

BOC1000 allows direct connection on prepunched bars with 25 mm pitch. The distribution block allows attachment to bars to any thickness.

Simple and quick derivations with cables up to 25 and/or 35 mm<sup>2</sup> that can be used up to 400 A.

The connection units allow spacing of drilled bars of the same phase.



Use of BOC1000 on BRP1015 (pre-punched copper bars)



BOC1000

Please contact Teknomega for non-specified tolerances.